

MUSICAL SOUND CONTROLLER

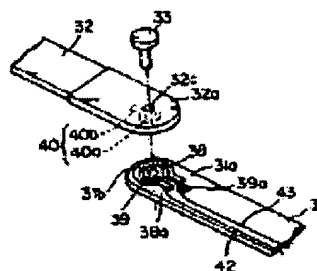
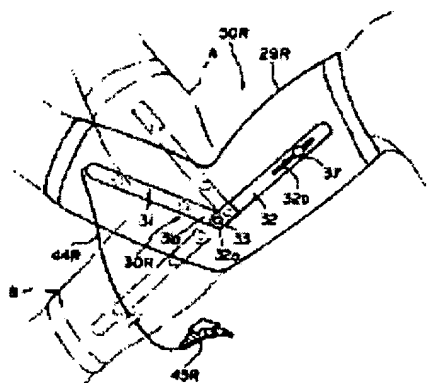
Patent number: JP1204098
Publication date: 1989-08-16
Inventor: SUZUKI HIDEO; MATSUSHIMA SHUNICHI; OBATA MASAHIKO; SAKAMA MASAO
Applicant: YAMAHA CORP
Classification:
- international: G10H1/053; G10H1/34
- european:
Application number: JP19880029113 19880210
Priority number(s): JP19880029113 19880210

Report a data error here

Abstract of JP1204098

PURPOSE:To perform musical sound control without impeding player's smooth operation by fitting 1st and 2nd plate bodies which have end parts coupled rotatably with each other in the bending direction of a joint of a human to an ornament put on the joint part.

CONSTITUTION:An right-elbow detection part 50R is put on the right elbow and when the right arm is bent as shown by a two-dot chain line A or stretched as shown by an alternate long and two short dashes line B, a plate body 32 rotates around a pin 33 as its axis according to the motion of the arm. The projection part 40b of a slide contact 40 slides on a resistance body 38 according to the rotation, and consequently the resistance value between the terminal 38a of the resistance body 38 and the terminal 39a of a fixed contact point 39 varies with the bending angle of the right arm. In this case, a movable member 37 moves along a long hole 32b as plate bodies 31 and 32 rotate by the bending or stretching of the arm, so the motion of the arm is never impeded. Variation in resistance value which is thus detected is transmitted to the musical sound controller through a connector 45R to perform the musical sound control according to the bending angle of the joint.



Data supplied from the esp@cenet database - Worldwide

BEST AVAILABLE COPY